

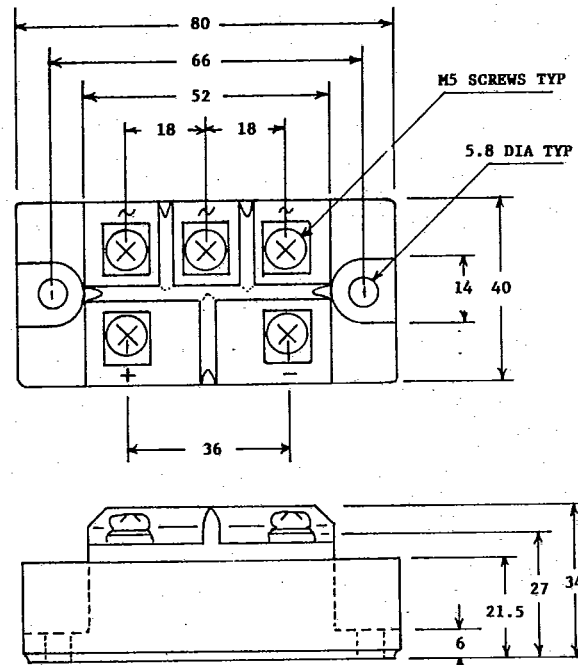
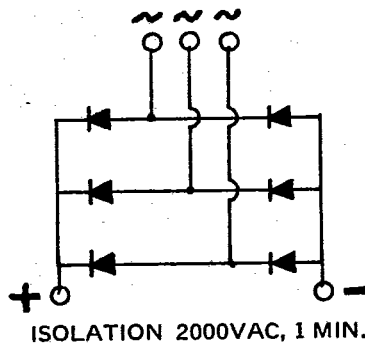


75 Amp Silicon Bridge Rectifiers

2238792 COLLMER SEMICONDUCTOR INC

74C 00718 D 7.23-09

- 3 PHASE, FULL WAVE
- GLASS PASSIVATED
- RUGGED SCREW TERMINALS
- ISOLATED BASE
- INDUSTRIAL QUALITY



ITEM	SYMBOL	CONDITION	ESAG32		UNIT
			-06T	-08T	
Voltage Ratings	Repetitive Peak Reverse Voltage	V_{RRM}	600	800	V
	Non-Repetitive Peak Reverse Voltage	V_{RSM}	660	880	V
Current Ratings	Average Output Current	I_O 60Hz, Sine Wave $T_c = 65^\circ C$	75		A
	One Cycle Surge Current (50Hz)	I_{FSM} From Rated Load	1000		A
	I^2t	I^2t From Rated Load	4000		A^2s
Forward Voltage		V_{FM} $T_j=25^\circ C, I_{FM}=75A$	1.1		V
Reverse Current		I_{RRM} $T_j=150^\circ C, V_R=V_{RRM}$	10		mA
Thermal Resistance		$R_{th(j-c)}$ Junction to case per total loss	0.25		$^\circ C/W$
Temperature Ratings	Operating Junction Temperature	T_j	-40 to +150		$^\circ C$
	Storage Junction Temperature	T_{stg}	-40 to +150		$^\circ C$
Mechanical Ratings	Mounting Torque		25 \pm 5		Kg \cdot cm

COLLMER SEMICONDUCTOR, INC. reserves the right to make changes in these specifications at any time and without notice in order to supply the best product possible.

©1982 • COLLMER SEMICONDUCTOR, INC.
Printed in U.S.A.

CSD 43

FUJI Semiconductors • Imported and Distributed by:
COLLMER SEMICONDUCTOR, INC.
 14368 PROTON RD. • DALLAS, TX 75234 • 214/233-1589
 TWX NO.: 910-860-5462